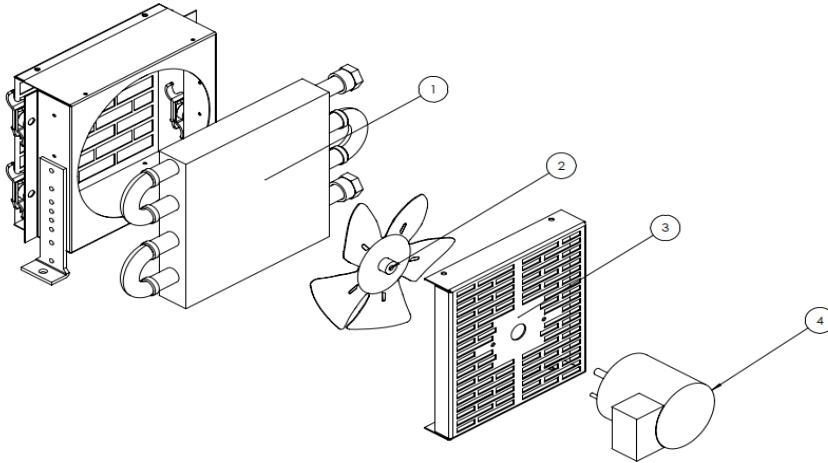


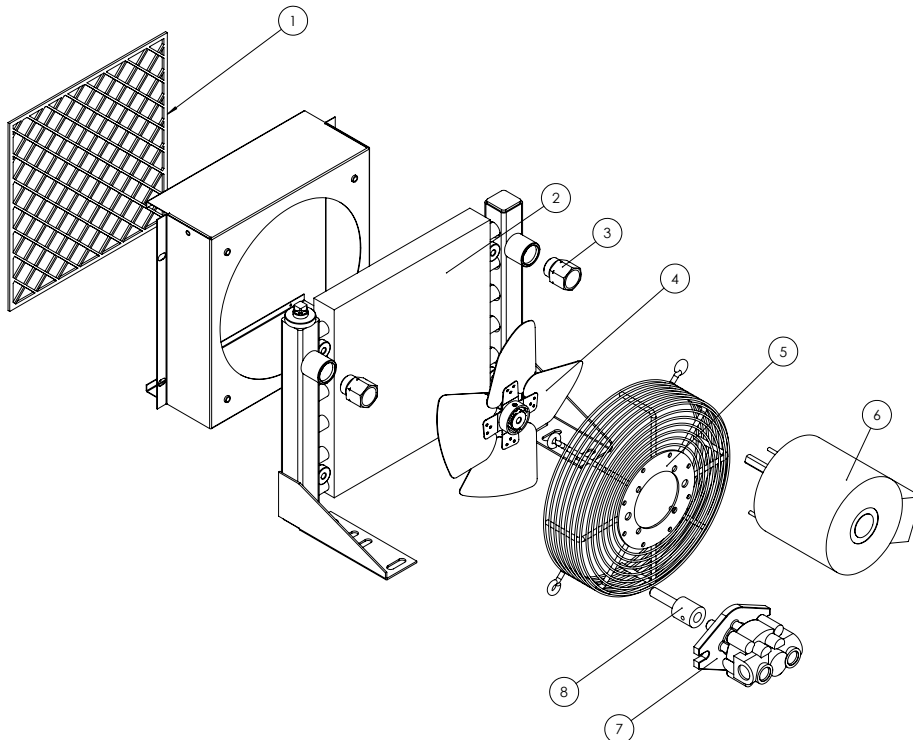
AOC Series Service Parts

AOC-08



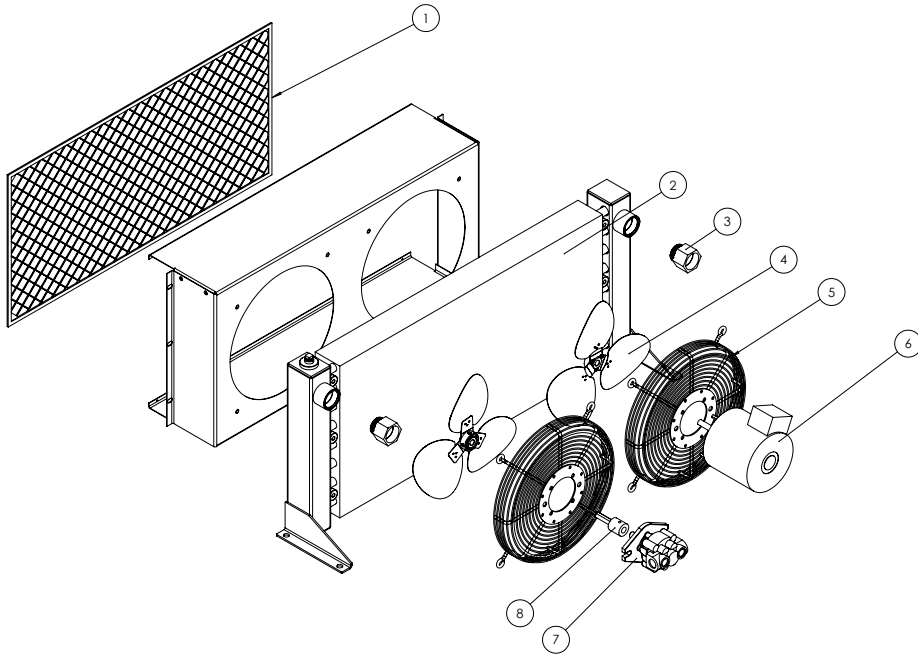
| Item Number | Description | Qty. |
|-------------|----------------|------|
| 1 | Core Assembly | 1 |
| 2 | Fan Blade | 1 |
| 3 | Fan Guard | 1 |
| 4 | Electric Motor | 1 |

AOC-19-33



| Item Number | Description | Qty. |
|-------------|-----------------|------|
| 1 | Air Filter | 1 |
| 2 | Core Assembly | 1 |
| 3 | Adapter | 2 |
| 4 | Fan Blade | 1 |
| 5 | Fan Guard | 1 |
| 6 | Electric Motor | 1 |
| 7 | Hydraulic Motor | 1 |
| 8 | Shaft Adapter | 1 |

AOC-37-70



| Item Number | Description | Qty. |
|-------------|-----------------|------|
| 1 | Air Filter | 1 |
| 2 | Core Assembly | 1 |
| 3 | Adapter | 2 |
| 4 | Fan Blade | 1 |
| 5 | Fan Guard | 1 |
| 6 | Electric Motor | 1 |
| 7 | Hydraulic Motor | 1 |
| 8 | Shaft Adapter | 1 |

Service Parts

| Model | Core Assembly | | Adapter Assembly | | Fan Blade | Fan Guard | Air Filter |
|-----------|---------------|-----|-----------------------|--------|-----------|-----------|------------|
| | | | NPT # | BSPP # | | | |
| AOC-08-11 | SP84953 | NPT | Included as per core. | | 66397 | 66903 | N/A |
| AOC-08-12 | SP85925 | SAE | | | | | |
| AOC-08-21 | SP84938 | NPT | | | | | |
| AOC-08-22 | SP85718 | SAE | | | | | |
| AOC-08-41 | SP81130 | NPT | | | | | |
| AOC-08-42 | SP81131 | SAE | | | | | |
| AOC-19 | SP92829 | SAE | 50113 | 50118 | 68298 | 68299 | 68154 |
| AOC-22 | SP93170 | | | | 66935 | 66832 | 68156 |
| AOC-24 | SP93038 | | 50114 | 50119 | 66936 | 66710 | 68157 |
| AOC-33 | SP93030 | | | | | | 68158 |
| AOC-37 | SP93279 | | 50115 | 50120 | 66935 | 66832 | 68159 |
| AOC-50 | SP93440 | | | | | | 68160 |
| AOC-54 | SP93565 | | 50116 | 50121 | 66936 | 66710 | 68161 |
| AOC-57 | SP93607 | | | | | | 68162 |
| AOC-70 | SP94294 | | 50117 | 50122 | 66941 | 66819 | 68163 |

Replacement Motors

| Model | Motor | | | | | |
|--------|-----------------|-------------|---------|---------|-----------------|---------------|
| | Single Phase | Three Phase | DC * | | Hydraulic Motor | |
| | Part # | Part # | 12 Volt | 24 Volt | Part # | Shaft Adapter |
| AOC-08 | 68142 | | N/A | | | |
| AOC-19 | 67233 | 66948 | 68443 | 68444 | 65960 | 42081 |
| AOC-22 | | | 68229 | 68230 | | |
| AOC-24 | | | 68224 | 68223 | | |
| AOC-33 | | | | | | |
| AOC-37 | | | 68229 | 68230 | | |
| AOC-50 | | | 68224 | 68223 | | |
| AOC-54 | | | | | | |
| AOC-57 | | | | | | |
| AOC-70 | Consult Factory | | 68211 | 67310 | 65943 | 42084 |

*DC Replacement Motors include motor, fan blade and fan guard