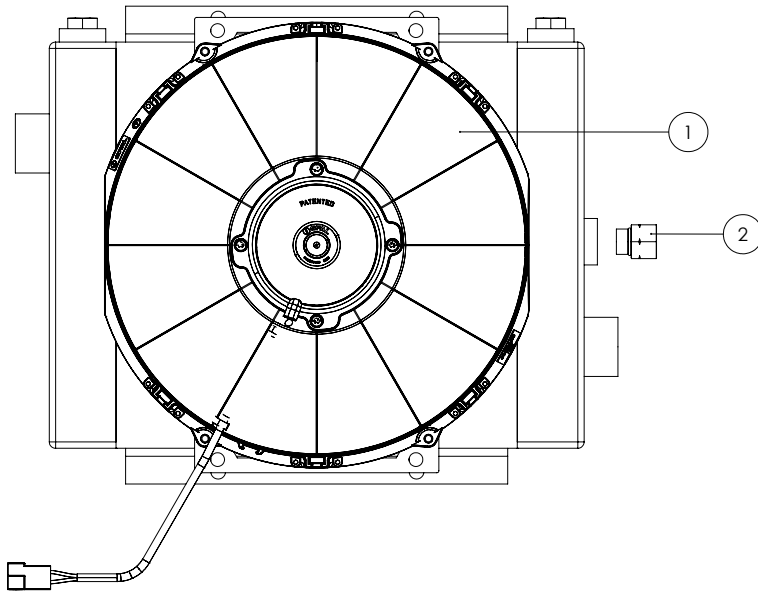


MA Series Service Parts



| Item Number | Description | Qty. |
|-------------|---------------------|------|
| 1 | Fan/Motor Assembly | 1 |
| 2 | Sensor Port Adapter | 1 |

Service Parts

| Model | 1-DC Fan/Motor Assembly Replacement | | | |
|--------|-------------------------------------|-------------------|----------------|----------------|
| | 12V – Part Number | 24V – Part Number | 12 V Brushless | 24 V Brushless |
| MA-3.5 | 57752 | 57753 | N/A | N/A |
| MA-4 | 57329 | 57330 | N/A | N/A |
| MA-12 | | | C/F | C/F |
| MA-18 | 57722 | 57723 | 58255 | 58256 |
| MA-32 | 57331 | 57332 | 58257 | 58258 |
| MA-48 | | | | |

Sensor Port Adapters

| Description | Part Number |
|--------------------|-------------|
| #8 SAE - 1/2" NPT | 51654 |
| #8 SAE - 1/2" BSPP | 51627 |
| #8 SAE -1/4" NPT | 51653 |